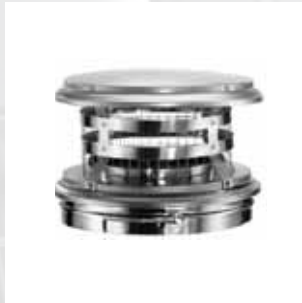


ENGINEERED EXCELLENCE



DuraPlus HTC[®]

All-Fuel Chimney System built to Canadian Standards

FEATURES AND BENEFITS

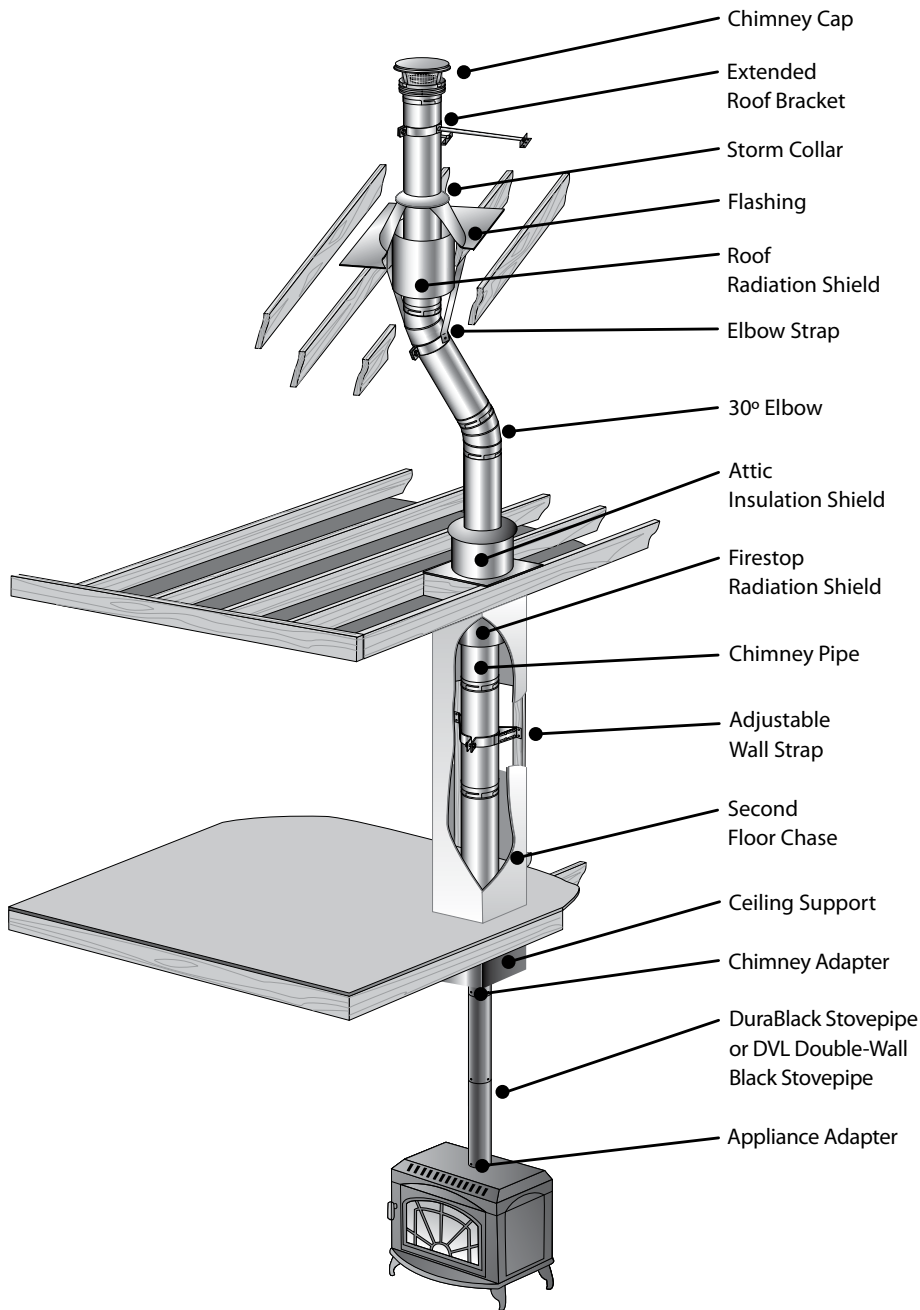
DuraVent
Member of  M&G Group

All rights reserved. Made in the USA. M&G DuraVent is a member of M&G Group. ©2011

DuraPlus HTC Feature	Benefit	Selkirk/
6", 12", 18", 24", 36" and 48" and pipe lengths.	Gives the installer the greatest variety of lengths to reach the desired height with ease and least amount of pipe sections.	No 48" lengths available.
Twist Lock End Rings	Allows the installer to safely and easily connect and disconnect chimney sections without mechanical fasteners. Encases insulation to prevent exposure to outside elements. No locking bands required.	Locking bands required. Creating additional installation.
430 Stainless Steel Inner Wall	Corrosion resistant stainless steel with the smallest amount of expansion when exposed to heat. Prevents hot spots from appearing which could cause a fire.	304 stainless steel inner. Expands twice as much as 430 stainless steel which causes hot spots and gaps in insulation.
.020" thick Stainless Steel Inner Wall	Thickest inner wall construction in the industry providing the best protection from creosote fires.	Metal thickness not available.
.020" 430 Stainless Steel Outer Wall	Heaviest gauge of any manufacturer resists damage.	Thinner .016" thickness 434 stainless steel available.
2" Thermal Tech II Insulation Blanket	Insures complete insulation coverage between inner and outer walls, preventing any hot spots from appearing due to expansion of the metal walls during operation. Hot spots could cause a fire.	2" Loose fill insulation.
Factory Installed Starter Section in the Support Box	Allows the installer a safe, quick and easy connection of chimney to the support box.	Starter section not installed in support box.
DuraPlus HTC offers 3 support box heights. 11", 24" 36" along with flat and round supports.	Gives the installer the most options when dealing with ceiling slopes. Creating the most aesthetically pleasing installation possible.	Only offers 24" height.
DuraVent offers 3 easy options to attachment Connector Pipe to Chimney System with the DVL/DB adapter, the DB slip connector or the snap lock adapter.	Allows the installer to connect either DVL, DuraBlack or snap lock stovepipe to the support box or finishing collar for an easy and quick installation. Adapter snaps into support box and allows for easy disconnection and switching of connector pipe without disconnecting chimney.	Supplies a finishing collar that must be used to switch out connector pipe.
15, 30 and 45 Degree Elbows	Provides greater installation flexibility.	Offer elbows in 15 and 30 degrees instead of 45.
Limited Lifetime Warranty	The best Warranty in the industry 15 years 100%, 15 years and up 50% Gives the installer and home owner the greatest peace of mind in a quality installation..	Limited Lifetime Warranty with 3 stages 15 years 75% and 15 and up 50%.
Adjustable Tee and Wall Support Brackets	Guarantees the proper clearance to combustibles while allowing the installer to work around changing exterior wall surfaces avoiding any field fabrication or code violation.	Tee support is fixed at 2" clearance no adjustment.
Universal Attic Insulation Shield	One SKU for 6", 7" and 8" diameters.	Individual 6", 7" or 8" attic insulation shields.
Premium Cap with Removable Top Plate and Spark Arrestor.	Allows for easy cleaning of chimney without having to disconnect and remove the cap. Saving time and money in cleaning.	Termination cap has a locking band attached to the cap for cleaning. Spark arrestor extra.
Reduced Clearance Support Box	Allows 2" insulated chimneys to be installed between less than 16" on center framing.	Minimum 16" on center spacing required.
Elongated Base Tee Tail Piece	Provides additional reservoir for soot and creosote.	None, 1" required for additional reservoir.
Insulated Tee Plug	Reduces condensation and improves efficiency.	Insulated Tee Plug available as an upgrade.
Reduced Wall Thimble Projection	2" projections reduces floor space required for stove installation.	3" projection required.
2" Clearance to combustibles required from chimney pipe.	Eliminates additional shielding and labor costs.	No radiation tube required
Not Available in Box Stores	Exclusive to hearth distributors and dealers.	Not available in box stores.
DuraPro Dealer Program	Offers free of charge marketing products and priority technical assistance.	No dealer program available.
Fully Cartonized Parts and Pieces	Offers added protection of product for shipping, warehouse storage and on site storage.	Cartonized products.

Super Pro	ICC/Excel	Security
	No 36" pipe lengths available.	6", 12", 18", 24", 36" and 48" lengths are available.
Additional time and complexity to the	Screws needed requiring more installation time. No end ring coverage exposing insulation to outside environment. 3 spot welded connecting tabs creating weak connection between inner and outer wall.	Twist Lock end rings.
Expands as much as 430 stainless steel. Could	304 stainless steel inner. Expands twice as much as 430 stainless steel. Could cause hot spots and gaps in insulation.	400 series Stainless Steel is now used by Security. They used to use 304 but switched to 400 series.
	.016" inner wall thickness.	Metal thickness is not available.
Steel.	304 stainless steel expands more than 430. No thickness provided.	400 series stainless steel no thickness provided.
	1" Thermoplus insulation blanket. Exposed at the ends of the pipe.	2" Loose fill insulation.
Support box.	Flue extension is required to prevent pipe from passing through support. Chimney is free floating in support box. A longer flue extension is required for steeper sloped ceilings.	Factory installed starter section in support box.
	Square support box only offered in 24" height. Round support box is only offered in 16" height. A separate support extension is required for additional height.	One height of 17" is available in support boxes. If you need to increase height you need to add a support extension. This will create visible seam where the 2 pcs join along with exposed fasteners.
Difficult to connect to chimney pipe. Very difficult to	Snap lock or UltraBlack double wall connector are screwed on to the flue extension. The screws are then covered up by the UltraBlack trim collar. Difficult to disconnect and switch out connector pipe at later date.	A black pipe adapter is offered to connect snap lock pipe to the chimney.
For use only. Require locking bands.	15, 30 and 45 degree elbows available.	15, 30 and 45 degree elbows available.
Warranty replacement 10 years 100%, 10-15	Limited Lifetime Warranty. 100% for first 10 years 50% thereafter.	Limited lifetime warranty. 100% replacement up to 10 years. 11 to 15 years 75% and 16 years and up 50%. 5 year warranty on cap.
Adjustability. Wall support is adjustable.	Wall support, supports both tee (from above) and vertical pipe sections. It is adjustable horizontally away from the wall.	Tee support is adjustable horizontally but the wall support bracket is not. A separate wall bracket extension is offered to add horizontal distance from the wall.
Shield required depending on installation.	Individual 6', 7" or 8" attic insulation shield required depending on installation.	Individual 6', 7" or 8" attic insulation shield required depending on installation.
Attachment requiring removal of entire cap	Termination cap top plate is removable by 3 wing nuts for cleaning. Spark arrester and premium cap extra charge.	Spark arrester available as an up charge.
Installation	Can be installed in less than 16" on center spaced framing.	Minimum 16" on center spacing required.
Clearance	None	None
Charge.	Insulated Tee Plug available.	Insulated Tee Plug available as an up charge.
	4" projection required.	5" projection required.
	Radiation tube required in most installations.	No radiation tube required.
	Not available in box stores.	Available in Box Stores no exclusive.
	No dealer program available.	No dealer program available.
	End cap protection of pipe sections only. Outside walls exposed to potential damage.	Cartonized product.

The DuraPlus HTC All-Fuel Chimney System for Canada



DuraVent's Thermal Tech II Blanket insulation in DuraPlus HTC is made of light-weight silica-ceramic. This insulation will not shrink or cause gaps like competitors' products made of mineral wool and other loose-fill insulations. No gaps mean no hot spots to trigger fires to exterior combustibles. Encased between two stainless steel walls, the insulation maintains a barrier that will not shift or settle. The 2" wall keeps the exterior cool, while ensuring high temperatures for optimum draft performance on the inside.

Twist-lock feature allows you to assemble DuraPlus HTC quickly and precisely. No screws or rivets required and no locking bands needed either. The Adjustable Tee Support Bracket is reversible for installation above or below the tee, while ensuring a 2" clearance to combustibles (adjusts from 2" to 6"). DuraPlus HTC offers 45 degree elbows and allows double offsets. Chimney pipe comes in lengths from 6 inches up to 4 feet.

DuraPlus HTC is a double-wall, all-fuel chimney system for Canada for use with wood stoves; fireplaces; and appliances using wood, oil, gas, or coal.

Thermal Tech II insulation encased between inner and outer walls of .020" 430 stainless steel. 2" clearance to combustibles. Diameters 6", 7", and 8". OMNI Listed to ULC S629 (143-P-03-2).

DuraVent

Member of  M&G Group

Customer Service Support 800-835-4429 707-446-4740 FAX www.duravent.com

DuraPlus HTC is a registered trademark of the M&G DuraVent, Inc.

All rights reserved. Made in the USA. M&G DuraVent is a member of M&G Group. ©2011