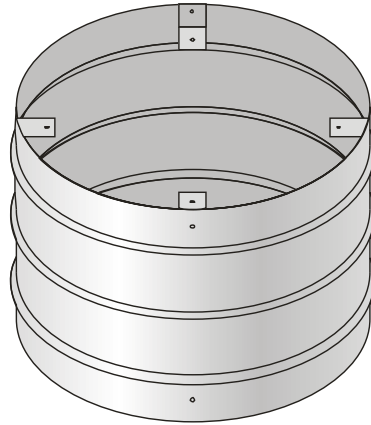


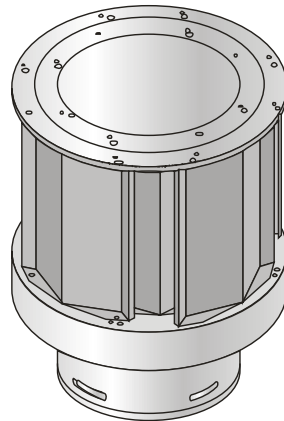
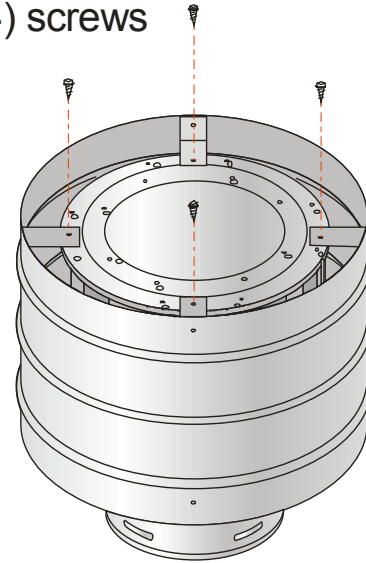
## Instructions: Installing Vertical Wind Guard

# DirectVent Pro



46DVA-VWG

(4) screws



46DVA-VCH, 58DVA-VCH,  
46DVA-CL33, OR 46DVA-CL34

**46DVA-VWG DirectVent Pro Wind Guard for the 46DVA-VCH, 58DVA-VCH,  
46DVA-CL33, and 46DVA-CL34**

For questions contact:  
Technical Support  
M&G DuraVent, Inc  
800-835-4429  
techsupport@duravent.com

**DuraVent**  
Member of  M&G Group

DirectVent Pro is a registered trademark of the M&G DuraVent, Inc.  
All rights reserved. Made in the USA. M&G DuraVent is a member of M&G Group. ©2011