

ENGINEERED EXCELLENCE



DuraTech[®]

All-Fuel Chimney System



FEATURES AND BENEFITS

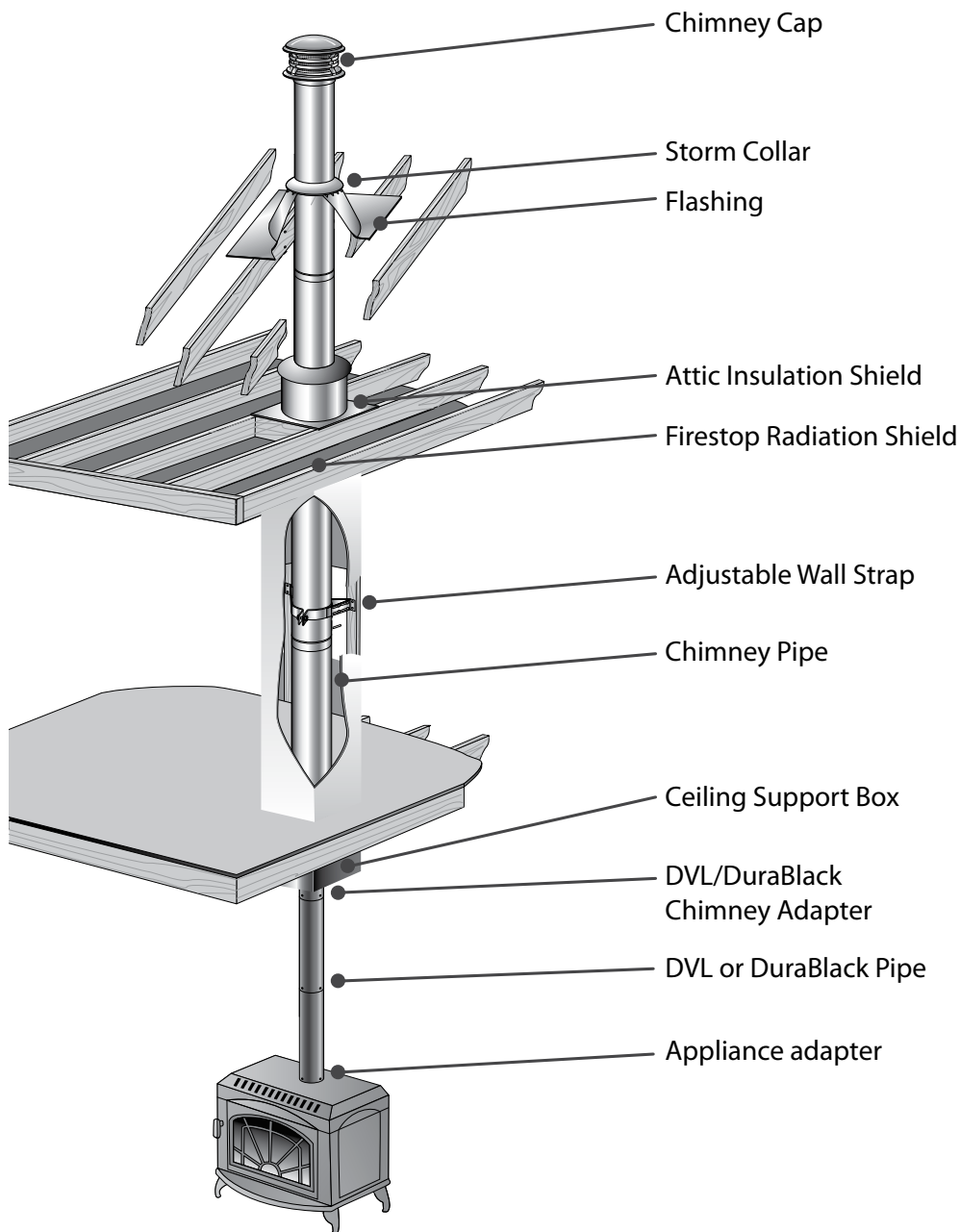
DuraVent
Member of  M&G Group

All rights reserved. Made in the USA. M&G DuraVent is a member of M&G Group. ©2011

DuraTech Feature	Benefit	Selkirk	ICC	Security	
5" through 24" diameter selection	Gives the installer the largest variety of diameters to fit and size the fireplace or stove properly.	5" to 24" diameters available.	5" through 24" diameters available.	5" through 10" diameters offered.	6"
6", 9", 12", 18", 24", 36", 48" and 60" pipe lengths	Gives the installer the greatest variety of lengths to reach the desired height with ease and least amount of pipe sections.	No 60" pipe lengths available longest length is 48".	No 9", 36" or 60" pipe lengths available longest length is 48".	8", 12", 18", 24", 36" and 48" lengths are available. No 60" length.	No an ins
Twist Lock End Rings	Allows the installer to safely and easily connect and disconnect chimney sections without mechanical fasteners. Encases insulation to prevent exposure to outside elements. No locking bands required.	Locking bands required. Creating additional time and complexity to the installation.	Screws needed requiring more installation time. No end ring coverage exposing insulation to outside environment. 3 spot welded connecting tabs creating weak connection between inner and outer wall.	Twist Lock end rings.	Tw ins
430 Stainless Steel Inner Wall	Corrosion resistant stainless steel with the smallest amount of expansion when exposed to heat. Prevents hot spots from appearing which could cause a fire.	304 stainless steel inner. Expands twice as much as 430 stainless steel. Could cause hot spots and gaps in insulation.	304 stainless steel inner. Expands twice as much as 430 stainless steel. Could cause hot spots and gaps in insulation.	400 series Stainless Steel is now used by Security. They used to use 304 but switched to 400 series.	43
.020" thick Stainless Steel Inner Wall	Thickest inner wall construction in the industry providing the best protection from creosote fires.	Metal thickness not available.	.016" inner wall thickness.	Metal thickness is not available.	Me
Light Weight Construction	Light weight Thermo Tech insulation makes pipe sections lighter (5lbs per ft for 6" diameter) to allow the manufacture of 5' lengths, thus the installer has fewer trips up the ladder for a quick and easy installation.	Packed chimney is heavier product. 6lbs per foot for 6" diameter.	5.25 lbs per foot for 6" diameter.	6.6 lbs per foot for 6" diameter.	Ch ma ha
1" Double Wall Insulated Pipe	Has the smallest outside diameter available to allow easy placement between studs. i.e. 8" O.D. on 6" diameter pipe. Saves from having to reframe around the chimney.	1" double wall insulated pipe construction.	1" double wall insulated pipe construction with no end caps.	1" double wall insulated pipe construction.	1.5 wi ov wa an
1" Thermal Tech Insulation Blanket	Insures complete insulation coverage between inner and outer walls, preventing any hot spots from appearing due to expansion of the metal walls during operation. Hot spots could cause a fire.	Solid pack insulation.	Thermoplus insulation blanket. Exposed at the ends of the pipe.	Secura Plus-2 insulation is a mineral wool fill insulation not a blanket. Could settle over time creating hot spots.	1.5
Factory Installed Starter Section in the Support Box	Allows the installer a safe, quick and easy connection of chimney to the support box.	Starter section not installed in support box.	Flue extension required to prevent pipe from passing through support. Chimney is free floating in support box. Longer flue extension required for steeper sloped ceilings.	Factory installed starter section in support box.	Fa sup
DuraTech offers 3 support box heights. 12", 24" 36" along with flat and round supports	Gives the installer the most options when dealing with ceiling slopes. Creating the most aesthetically pleasing installation possible.	Only offers 24" height.	Square support box only offered in 24" height. Round support box is only offered in 16" height. A separate support extension is required for additional height.	One height of 17" is available in support boxes. If you need to increase height you need to add a support extension. This will create visible seam where the 2 pcs join along with exposed fasteners.	Off 29
Reduced 10" wide Support Box for 6" diameter DuraTech	Allows for the smallest area of framing while still maintaining safe and approved clearances to combustibles. Could prevent having to reframe around chimney.	Only offers 14.5" width box. Requires wider framing.	Offers a 10" wide square support for 6" diameter pipe.	Only offer a 14 3/8" width box. Requires wider framing.	On wi
DuraVent offers 3 easy options to attachment Connector Pipe to Chimney System with the DVL/DB adapter, the DB slip connector or the snap lock adapter	Allows installer to connect DVL, DuraBlack or snap lock stovepipe to the support box or finishing collar for an easy and quick installation. Adapter snaps into support box and allows for easy disconnection and switching of connector pipe without disconnecting chimney.	Supplies a finishing collar that must screw to chimney pipe. Very difficult to switch out connector pipe.	Snap lock or UltraBlack double wall connector are screwed on to the flue extension. The screws are then covered up by the UltraBlack trim collar. Difficult to disconnect and switch out connector pipe at later date.	A black pipe adapter is offered to connect snap lock pipe to the chimney.	On do av ins
15 and 30 Degree Elbows come with swivel base	The swivel base allows an installer to line up the elbow without unlocking and repositioning the elbow, saving time and money.	15 and 30 degree swivel base offered.	No swivel base. Requires screws to lock into place.	No swivel base provided. Must align with twist lock	Sw
15 and 30 Degree Elbows come in kits	This insures that the installer gets both the offset and return elbow along with an elbow support bracket to make a properly code approved offset.	Offer elbow kits in 15 and 30 degrees. Require locking bands.	No kits you must buy elbows separately along with offset support.	No kits available. Your order elbows and support straps separately.	No elb ins sup
Limited Lifetime Warranty	The best Warranty in the industry. 15 years 100%, 15 years and up 50% Gives the installer and home owner the greatest peace of mind in a quality installation.	Limited Lifetime Warranty with 3 stage replacement 10 years 100%, 10-15 years 75% and 15and up 50%.	Limited Lifetime Warranty. 100% for first 10 years 50% thereafter.	Limited lifetime warranty. 100% replacement up to 10 years. 11 to 15 years 75% and 16 years and up 50%. 5 year warranty on cap.	Lir for
Adjustable Tee and Wall Support Brackets	Guarantees proper clearance to combustibles, allowing the installer to work around changing exterior wall surfaces, avoiding any field fabrication or code violation.	Tee support is fixed at 2" clearance no adjustability. Wall support is adjustable.	Wall support, supports both tee (from above) and vertical pipe sections. It is adjustable horizontally away from the wall.	Tee support is adjustable horizontally but the wall support bracket is not. A separate wall bracket extension is offered to add horizontal distance from the wall.	Tee ad the sku
Shroud Specifications	Shroud specs allow the installer to create a UL listed shroud to hide the termination at the top of the chase for safest installation.	Shroud specs available.	No UL Shroud specs provided.	No UL Shroud specs provided.	Sh
Adjustable Height Attic Insulation Shield	Allows the installer to accommodate deep attic insulation without having to field fabricate an extension. Saves time and money.	Attic insulation shield is fixed height of 11.5". Does not adjust for deeper insulation in colder climates.	No separate attic insulation shield is offered. You use a radiation shield which is adjustable and a separate storm collar to create an attic insulation shield.	Adjustable attic insulation is available. Adjusts 12" to 22".	Att Col scr fab col
Removable Top Plate and Spark Arrestor on termination cap	Easy cleaning of chimney without having to disconnect and remove the cap. Saves time and money in cleaning.	Termination cap has a locking band attachment requiring removal of entire cap for cleaning.	Termination cap top plate is removable by 3 wing nuts for cleaning.	Top plate of termination cap not removable. Entire cap must be removed to clean. Extremely difficult to add a spark arrestor.	Mu cle

Metalfab	Amerivent Amerittec	Amerivent TLC	Hart & Colley TLC	SuperPro
to 14" diameters available.	6" and 8" only.	5" through 14" diameters available.	5" through 14" diameters available.	5" through 14" diameters available.
9" or 60" pipe lengths. Fewer options and more trips up the ladder for the taller.	12", 18" 24" and 36" only	No 9" or 60" pipe lengths available. Fewer combinations to reached desired height and more trips up the ladder.	No 9" or 60" pipe lengths available. Fewer combinations to reached desired height and more trips up the ladder.	No 9" or 60" pipe lengths available. Fewer combinations to reached desired height and more trips up the ladder.
Twist lock connection with exposed insulation.	Twist lock connection.	Twist lock connection with required locking bands. Takes more time to install.	Twist lock connection with required locking bands. Takes more time to install.	Twist lock connection with required locking bands. Takes more time to install.
304 Stainless Steel.	430 Stainless Steel.	304 Stainless steel inner wall expands twice as much as 430 which could cause hot spots.	304 Stainless steel inner wall expands twice as much as 430 which could cause hot spots.	304 Stainless steel inner wall expands twice as much as 430 which could cause hot spots.
metal thickness is not available.	.015 inner wall thickness.	.016 thick stainless steel inner wall.	.016 thick stainless steel inner wall.	.016 thick stainless steel inner wall.
Chimney pipe is one inch wider in material making it more heavy and awkward to handle.	Triple wall pipe weighs the most per foot of any chimney.	Packed chimney is heavier product. 6lbs per foot for 6" diameter.	Packed chimney is heavier product. 6lbs per foot for 6" diameter.	Packed chimney is heavier product. 6lbs per foot for 6" diameter.
2" double wall insulated pipe construction with opened end caps exposing insulation to outside environment. They taut 1.5" clearance over others 2" clearance but with the added wall thickness this chimney requires the same amount of spacing for clearances as all others.	2" Triple wall construction. Has a 2" greater OD than double wall chimney requiring more space between studs. Still has 2" clearance to combustibles requirement.	1" Double wall insulated chimney pipe.	1" Double wall insulated chimney pipe.	1" Double wall insulated chimney pipe.
5" mineral wool blanket.	1/2" ceramic fiber blanket. Thinner blanket require third wall and air to pass requirements.	1" mineral wool packed insulation. Could settle over time and cause hot spots.	1" mineral wool packed insulation. Could settle over time and cause hot spots.	1" mineral wool packed insulation. Could settle over time and cause hot spots.
Factory installed starter section in support box.	Factory installed starter section in support box.	No starter section in supports. Pipe either rests in flat supports or passes through the support box where a support clamp is required. More time to install. Pipe is not secure in support when chimney sweep is cleaning up and down with their brushes	No starter section in supports. Pipe either rests in flat supports or passes through the support box where a support clamp is required. More time to install. Pipe is not secure in support when chimney sweep is cleaning up and down with their brushes	No starter section in supports. Pipe either rests in flat supports or passes through the support box where a support clamp is required. More time to install. Pipe is not secure in support when chimney sweep is cleaning up and down with their brushes
Offers only a short flat roof support and a pitched roof support box.	One support box 24".	One support box height of 17.5" is available. Field fabrication and painting of extension if necessary.	One support box height of 17.5" is available. Field fabrication and painting of extension if necessary.	One support box height of 17.5" is available. Field fabrication and painting of extension if necessary.
Only offer 12.5" wide support box. Requires order framing.	Only offer 14.5" support box width.	11" box is available. Wider opening required.	11" box is available. Wider opening required.	11" box is available. Wider opening required.
Slip connection option available. Requires screwing double wall connect to the adapter. No slip connection available to allow height adjustment makes installation more difficult.	Offers snaplock adapter, slip connector and double wall connector.	Stovepipe adapter must connect into the female end of a pipe section. No slip connection is available.	Stovepipe adapter must connect into the female end of a pipe section. No slip connection is available.	Stovepipe adapter must connect into the female end of a pipe section. No slip connection is available.
Swivel base offered.	offer 15 and 30 degree elbows with no swivel bases.	No swivel base. They have removed the locking mechanism from the end caps to allow it to spin. Has to be locked into place with locking bands. Adds time and labor.	No swivel base. They have removed the locking mechanism from the end caps to allow it to spin. Has to be locked into place with locking bands. Adds time and labor.	No swivel base. They have removed the locking mechanism from the end caps to allow it to spin. Has to be locked into place with locking bands. Adds time and labor.
Elbow kits available. Must buy elbows and support straps separately. More likely that an installer taller could leave off the require extra support of the strap.	No kits available. All elbows and straps bought separately.	Kits are available. Elbow support does not have straps. Must be supplied in the field by installer.	Kits are available. Elbow support does not have straps. Must be supplied in the field by installer.	Kits are available. Elbow support does not have straps. Must be supplied in the field by installer.
Limited Lifetime Warranty offered. 100% for first 10 years. 50% from there on.	Lifetime Warranty. For the life of the owner.	Limited Lifetime Warranty with 100% for first 10 years, 75% for 11 to 15 years and 50% beyond 15 years.	Limited Lifetime Warranty with 100% for first 10 years, 75% for 11 to 15 years and 50% beyond 15 years.	Limited Lifetime Warranty with 100% for first 10 years, 75% for 11 to 15 years and 50% beyond 15 years.
Wall support is adjustable. Wall strap requires additional wall-band adjustment kit to make the wall support bracket adjustable. More kits to order & bring to jobsite.	No adjustable wall or tee support brackets.	Adjustable Tee support is offered. Wall support is not adjustable.	Adjustable Tee support is offered. Wall support is not adjustable.	Adjustable Tee support is offered. Wall support is not adjustable.
Shroud specifications are offered.	No shroud specifications available.	No shroud specifications available.	No shroud specifications available.	No shroud specifications available.
Attic insulation shield fixed at 18" height. Attic insulation shield is not removable because of required collar - extending the shield by field fabricating an extension is not possible in colder areas where insulation is deeper.	Attic insulation shield is one height 18". Any thing higher would require field fabrication.	Attic insulation shield fixed at 12" height. Collar is attached making it difficult to field fabricate an extension for deeper insulation in cold areas.	Attic insulation shield fixed at 12" height. Collar is attached making it difficult to field fabricate an extension for deeper insulation in cold areas.	Attic insulation shield fixed at 12" height. Collar is attached making it difficult to field fabricate an extension for deeper insulation in cold areas.
Must remove entire termination cap for cleaning.	Top plate is not easily removed for cleaning.	Top plate is not removable. Entire termination cap assembly must be removed to clean chimney.	Top plate is not removable. Entire termination cap assembly must be removed to clean chimney.	Top plate is not removable. Entire termination cap assembly must be removed to clean chimney.

The DuraTech All-Fuel Chimney System



Designed for appliances that are tested and listed for use with a 2100° F HT chimney system.

DuraTech is a double-wall, all-fuel chimney system for use with wood stoves, fireplaces, furnaces, boilers, ranges, water heaters, or other appliances fueled by wood, oil, coal, or gas, and zero-clearance fireplaces that are factory-built.

DuraVent

Member of  M&G Group

Customer Service Support 800-835-4429 707-446-4740 FAX www.duravent.com

DuraTech is a registered trademark of the M&G DuraVent, Inc.

All rights reserved. Made in the USA. M&G DuraVent is a member of M&G Group. ©2011

With a Thermal Tech blanket insulation encased between dual walls, DuraTech offers the optimum in safety and performance. It keeps the outer wall of the chimney cool, while ensuring high flue gas temperatures for optimum draft performance.

The inner wall is 20% thicker than competitive chimneys for an extra margin of safety. No locking bands or mechanical fasteners required.

DuraTech's sleek 1" wall design provides for easy installations through 16" on-center framing. For tight installations, a Reduced Clearance Square Ceiling Support Box is available (6" diameter DuraTech only).

Designed for normal, continuous operation at 1000° F flue gas temperatures, DuraTech is subjected to rigorous and stringent HT requirements of the UL standard, including one hour at 1400° F, plus three ten minute chimney fire tests at 2100° F.

DuraVent offers DuraTech in large diameters to vent large-scale residential fireplaces and building heating appliances.

Large diameter DuraTech chimney is tested and listed for continuous operation at 1000° F flue gas temperatures, one hour at 1400° F and ten-minutes at 1700° F, in accordance with the UL 103 test standard.