

ENGINEERED EXCELLENCE



DirectVent Pro[®]

Venting System for Direct Vent Gas Stoves and Fireplaces

FEATURES AND BENEFITS

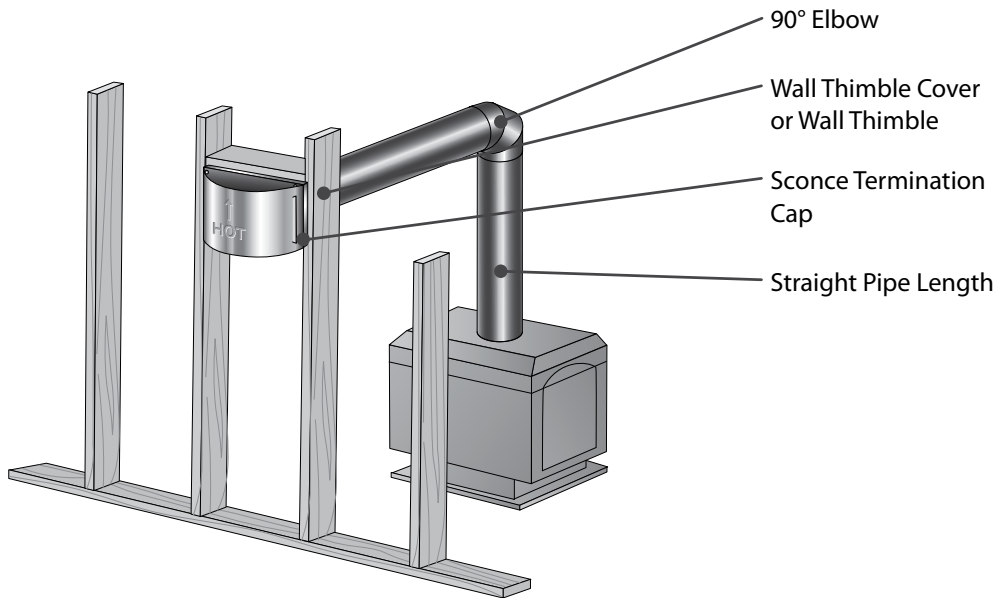
DuraVent
Member of M&G Group

All rights reserved. Made in the USA. M&G DuraVent is a member of M&G Group. ©2011

DirectVent Pro Feature	Benefit	Selkirk	Amer
DV (the originator of DV) is specified by more Appliance manufacturers than any other vent manufacturer. 26 of 31 manufacturers approve DV on all heir models.	Insures that a distributor can stock only one vent line and cover all direct vent needs for the most dealers.	20 out of 31 manufacturers approve Selkirk on some but not all of their models.	13 out of 31 manufacturers a but not all of their models.
Appliance Manufacturers use the DV locking system on their appliance adapters.	This allows the installer to attach Direct Vent Pro to the appliance without the need for another adapter or mechanical fastener saving time and money.	Requires a separate appliance adapter adding time and money to the installation.	Copied DuraVent twist lock s appliances with a DuraVent a
Available in 3"x4 5/8", 4"x6 5/8", 5"x8" and 6"x9" concentric diameters. The most of any vent manufacturer. In both galvanized and black finishes.	Insures that a distributor can stock only one vent line and cover all direct vent needs for the most dealers.	Only available in 4"x6 5/8" and 5"x8" concentric diameters. In galvanized and black finishes.	Only available in 4"x6 5/8" an diameters. In galvanized and
Direct Vent Pro has 6", 9", 12", 18", 24", 36", 48" and 60" lengths.	Gives the installer the most options for the best and easiest installation.	No 60" pipe lengths. Requires more pieces to complete installation.	Offers 7", 12", 24", 36" and 48" and 60" pipe sections. Fewer choose from.
8.5" and 16" Pipe extensions give Direct Vent Pro the largest range of adjustability when used with the various lengths of pipe available.	Gives the installer the most choices to achieve the proper length of the installation with the least amount of pieces saving time and money.	Offer only one 4" to 10" adjustable. Not as many options available to the installer to complete the job.	One 4" to 10" adapter giving
Twist Lock Connection	No mechanical fasteners or perforations in the pipe from addition connections. Makes it the easiest way to assemble a direct vent system and if needed disassemble	Selkirk b-vent connection with locking tab. Locking tab creates a hole in the outer wall creating leakage.	Copied Simpson DuraVent Tw order to attach to appliances mounted on it.
Sealants required only when the appliance manufacturer specifies that the joints be sealed.	When sealant is specified for direct vent pipe it is specified for all vents and usually requires sealant on both the inner and outer pipes. No direct vent pipe manufactured has gaskets on outer pipe.	Fiberglass gasket on inner pipe. Eliminates sealant on inner joint when required by appliance manufacturer. Would still require sealant on outer if required by appliance manufacturer.	Fiberglass gasket on inner pi inner joint when required by Would still require sealant on appliance manufacturer.
Aluminum inner pipe	Aluminum inner pipe heats up faster to eliminate condensation in the vent.	Stainless steel inner pipe. Takes longer to heat up allowing condensate to collect and is more costly.	Stainless steel inner pipe. Tak allowing condensate to colle
30 degree, 45 degree, 60 degree and 90 degree elbows are available.	The most elbow options available to give the installer the best way to incorporate offsets when needed.	45 and 90 degree elbows offered. Fewer options for working around framing and other obstacles.	45 and 90 degree elbows off working around framing and
Elbows have swivel bases.	Once elbow is locked it place it can rotate on the swivel base to fine tune the systems alignment. Saves the installer time and money.	B-vent connection's loose fit allows installer to rotate elbow on pipe section but requires locking tab to be engaged creating a hole into the fresh air chamber.	No swivel available. Elbows r perfectly creating a more dif installation.
Round, Sconce, Trapezoid and Square Horizontal Caps are available, along with Vertical and High wind Vertical terminations give Direct Vent Pro the widest variety of approved terminations.	Most choices of terminations available to the dealer and installer. Best choice for aesthetic or budget requirements.	Only standard vertical and square terminations available. Less options available for the installer.	Tomato can termination in b installations. Less options fo
Two lengths of Snorkel terminations are also available in 4x^ 5/8" and 5"x 8" diameters.	New slimmer profile gives the Snorkel a more aetically pleasing installation. Gives the installer even more terminations to choose from	Selkirk snorkel 7" wider on the 4"x6 5/8" and 9" wider on the 5"x8". Creating a much larger profile on the side of the house.	Only one length available in
Sconce, Square Horizontal and Vertical terminations available in Aluminum, Stainless Steel and even Copper.	Lets the installer choose the right finish for the most aetically pleasing installation available.	Aluminum finishes only on Selkirk terminations	Only available in aluminum f
Limited Lifetime Warranty. 100% replacement for 15 years, 50% replacement thereafter.	Best warranty offered in the industry. Gives the dealer peace of mind that they have chosen a quality product.	Limited Lifetime warranty with 3 stage replacement plan 1-10 years 100%, 11-15 years 75%, and 16 up 50%.	Limited Lifetime Warranty w 75% for 11 to 15 years and 50
Attic insulation shield for passing through an attic on a vertical installation.	Attic insulation shield required by code officials when passing vent through an attic.	No attic insulation shield available.	Attic Insulation Shield availa
Two types of vinyl siding standoffs available.	The knockdown vinyl siding standoff offers a sleeker profile and lower cost to the fully assembled vinyl siding standoff.	offers only large fully assembled vinyl siding standoff creating a larger profile on the side of the house.	No vinyl siding standoff avail
Counter Flashing for stucco installations.	Gives the installer a solid surface to run stucco up against creating an easier and more aetically pleasing installation.	no counter flashing offered.	No counter flashing availabl
Laser welded seam on black pipe.	Creates a more aesthetically pleasing interior installation without any seams showing.	Laser welded seam black pipe.	Locked seamed outer wall re up the seams and rotate ther Tougher installation adding t

Event	MetalFab	Security	ICC
Approve Amerivent on some	13 out of 31 manufacturers approve MetalFab on some but not all of their models.	9 out of 31 manufacturers approve Security on some but not all of their models.	16 of 31 manufacturers approve ICC on some but not all of their appliances.
System in order to attach to adapter already mounted.	Twist lock connection in order to fit on to Simpson DuraVent adapter.	Appliance must have a Secure Vent adapter mounted to it. If not the installer is to try and seal the joint inner and outer with high temperature silicone sealant. Creates more time and concern that the pipe is properly attached to the appliance.	Slides over a factory installed DV appliance adapter and must be sealed and secured with screws.
and 5"x8" concentric black finishes.	Only available in 4"x6 5/8" and 5"x8" concentric diameters. In galvanized and black finishes.	Only available in 4"x6 5/8" and 5"x8" concentric diameters. In galvanized and black finishes.	Only available in 4"x6 5/8" and 5"x8" concentric diameters. In galvanized and black finishes.
3" pipe sections. No 9", 18" options for the installer to	Offers 6", 12", 18", 24", 36" and 48" pipe lengths. No 9" or 60" lengths available giving the installer fewer choices.	Offers 6", 12", 24", 36" and 48" pipe lengths. No 9", 18" or 60" pipe lengths available. Fewer options for the installer to choose from.	Offers 6", 12", 24", 36" and 48" pipe lengths. No 9", 18" or 60" pipe lengths giving the installer less options.
the installer fewer choices.	One 3" to 10" adapter giving the installer fewer choices.	Three adjustables available. 1.5" to 6", 1.5" to 12" and 1.5" to 24".	Offer 2 adjustables 8"-11" AND 6.5"-9.5"
Twist lock connection in with a DuraVent adapter	Twist Lock connection with locking tab. Engaging tab creates a hole into the air chamber creating a leak.	Twist Lock Connection	Assemble joints with 3 screws. Much more difficult installation in tight quarters trying to drill in 1/4" screws. More time and money to the installer. Don't lose a screw.
Sealant. Eliminates sealant on appliance manufacturer. on outer if required by	Sealants required only when the appliance manufacturer specifies that the joints be sealed.	Sealants required only when the appliance manufacturer specifies that the joints be sealed.	Uses a fiber gasket TAPED to the inner pipe. Very weak attachment which could come undone in transit or installation.
Takes longer to heat up and is more costly.	Stainless steel inner pipe. Takes longer to heat up allowing condensate to collect and is more costly.	Aluminized Steel inner pipe.	Stainless steel inner pipe. Takes longer to heat up allowing condensate to collect and is more costly.
Offered. Fewer options for other obstacles.	45 and 90 degree elbows offered. Fewer options for working around framing and other obstacles.	45 and 90 degree elbows offered. Fewer options for working around framing and other obstacles.	45 and 90 degree elbows offered. Fewer options for working around framing and other obstacles.
Must be locked in aligned difficult and time consuming	No swivel available. Elbows must be locked in aligned perfectly creating a more difficult and time consuming installation.	Elbows have swivel bases.	Because you have to screw the joints together you can rotate the elbows into position. Then you somehow have to secure it with 3 screws including the backside. Difficult and time consuming installation.
Both horizontal and vertical for the installer.	Only standard vertical and square terminations available. less options available for the installer.	Only standard vertical and square terminations available. less options available for the installer.	Admits in writing that they copied DV terminations. "We couldn't figure out how to build a better wind resistant cap, instead we simply used their high wind caps as the performance standard to build all of our standard caps".
Wider profile.	Two lengths of Snorkel available with wider profile.	Two lengths of Snorkel available with wider profile.	Two lengths of Snorkel available with wider profile.
Finish.	Only available in aluminum finish.	Only available in aluminum finish.	Only available in aluminum finish.
With 100% for first 10 years, 50% beyond 15 years.	Limited Lifetime Warranty offered. 100% for first 10 years. 50% from there on.	Limited lifetime warranty. 100% replacement up to 10 years. 11 to 15 years 75% and 16 years and up 50%. 5 year warranty on cap.	Limited Lifetime Warranty. 100% for first 10 years 50% thereafter.
Attic insulation shield available.	No attic insulation shield available.	Attic Insulation Shield available.	Attic Insulation Shield available.
Offers only large fully assembled vinyl siding standoff creating a larger profile on the side of the house.	offers only large fully assembled vinyl siding standoff creating a larger profile on the side of the house.	offers only large fully assembled vinyl siding standoff creating a larger profile on the side of the house.	One vinyl siding standoff offered. Holds the termination 5" off the wall surfaces creating a large profile.
no counter flashing offered.	no counter flashing offered.	no counter flashing offered.	no counter flashing offered.
Require the installer to line up the seams and rotate them to the wall to conceal. Tougher installation adding time.	Locked seamed outer wall require the installer to line up the seams and rotate them to the wall to conceal. Tougher installation adding time.	Welded seam on black pipe.	Welded seam on black pipe.

The DirectVent Pro Venting System



Designed for use with direct vent gas or propane stoves, heaters, and fireplaces.

DirectVent Pro, in combination with the gas appliance, has been tested and listed as a decorative gas appliance system or as a direct vent heater system by a major testing agency, such as UL, CSA, Warnock Hersey, or OMNI.

.020" aluminum inner wall. Painted outer walls made of laser-welded .018" galvalume steel. Outer pipe brings combustion air to the appliance. Inner pipe exhausts flue gases to the outside. Gaskets or sealants not required (unless specified by the appliance manufacturer).

Stunning design and Engineered Excellence® utilizing state-of-the-art manufacturing. DirectVent Pro features tight inner connections for superb performance, with no gaskets or sealants required (unless specified by the appliance manufacturer). All black pipe lengths, pipe extensions, and elbows feature laser-welded outer wall seams for a sleek finish. Low-profile locks and no hems or beads allow for a beautiful product that looks elegant in any interior.

Engineered Excellence® with innovation and style...DirectVent Pro. Simpson Dura-Vent's direct vent is specified exclusively by nearly every major stove and fireplace manufacturer in the U.S. and Canada, with the largest choice of termination caps for direct vent available.

All DirectVent Pro components are compatible with DirectVent GS stock, except for the DirectVent Pro Pipe Extensions.

DuraVent

Member of  M&G Group

Customer Service Support 800-835-4429 707-446-4740 FAX www.duravent.com

DirectVent Pro is a registered trademark of the M&G DuraVent, Inc.

All rights reserved. Made in the USA. M&G DuraVent is a member of M&G Group. ©2011