

Instructions: Lochinvar Termination, 2" (60mm)

IMPORTANT

You must follow the appliance manufacturer's installation requirements, while maintaining the proper clearance to combustibles. See *Table 1*

INSTALLATION

1. Slide PP pipe with PVC adapter (2) into oblong hole (1) and down. See *Figure 1*. Brackets will point away from the wall, on the exterior of the house, and rest between the two outward beads (3). See *Figure 2*.
2. Finish installing the termination assembly in accordance with appliance manufacturer's instructions. PolyPro pipe is to be installed on the exhaust outlet.
3. Once securely installed to exterior, verify exhaust pipe cannot be removed from termination cap.

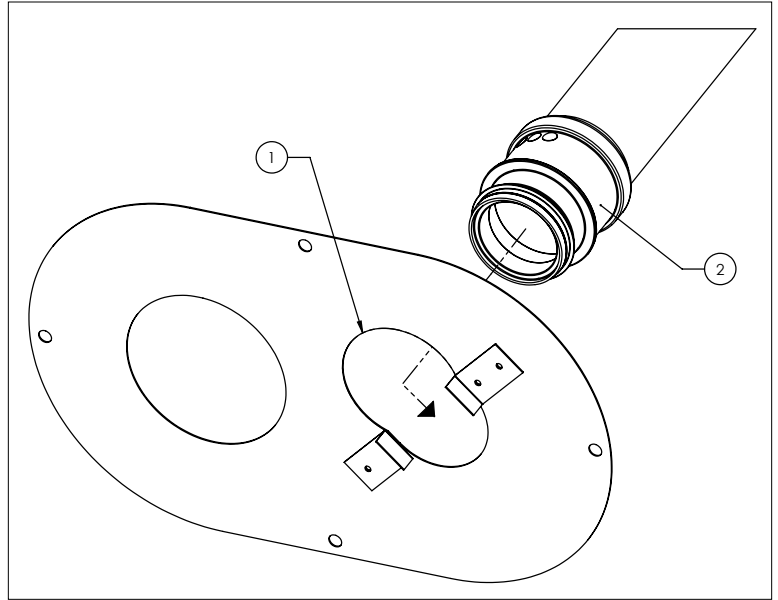


Figure 1

Table 1		
Minimum Clearance To Combustibles		
SINGLE WALL	VENT PIPE ORIENTATION	
	VERTICAL	HORIZONTAL
Up to 190°F	0"	0"
Up to 230°F	0"	1/4" (6mm)

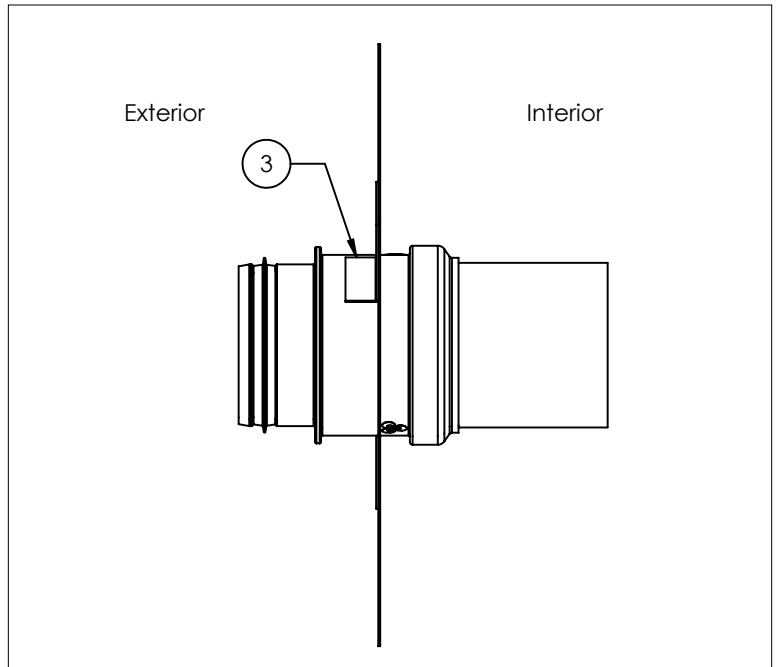


Figure 2

Instructions: Lochinvar Termination, 3" (60mm) & 4" (100mm)

IMPORTANT

You must follow the appliance manufacturer's installation requirements, while maintaining the proper clearance to combustibles. See *Table 1*

INSTALLATION

1. Slide PP pipe with PVC adapter (1) into small hole of retaining plate (2) until it stops on the adapter collar (3). See **Figure 3 and 4**.
2. Finish installing the termination assembly in accordance with appliance manufacturer's instructions. PolyPro pipe is to be installed on the exhaust outlet.
3. Once securely installed to exterior, verify exhaust pipe cannot be removed from termination cap.

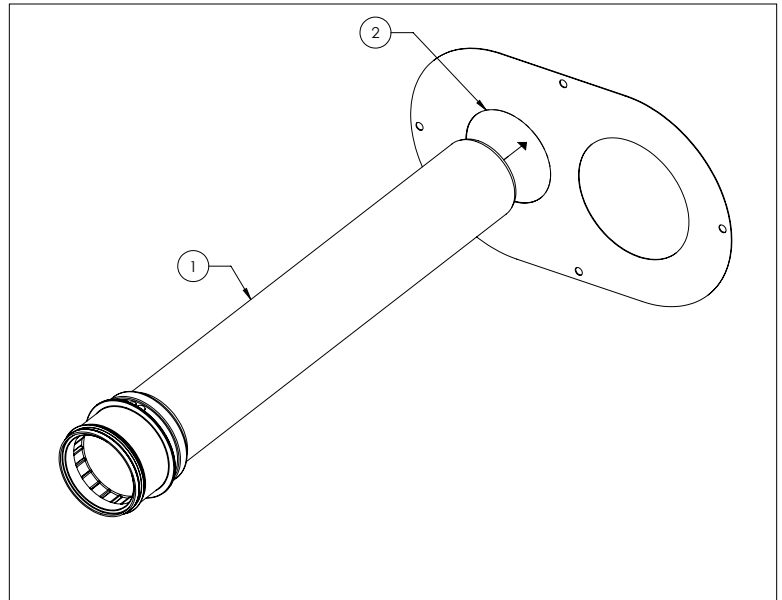


Figure 3

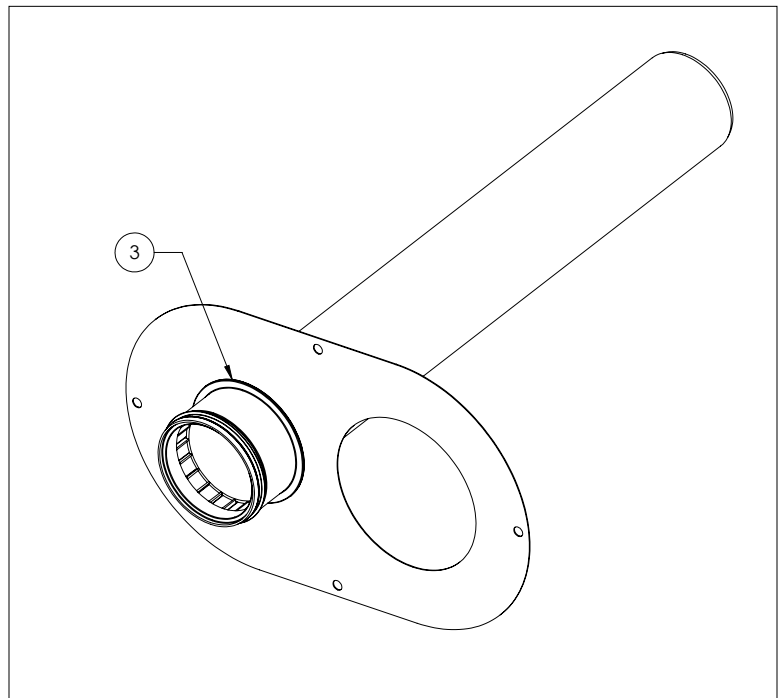


Figure 4