

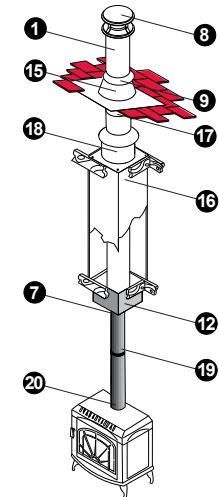
# Installation

# Typical Installations

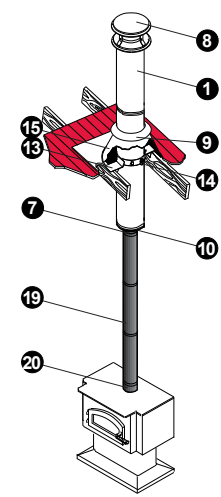
## How To Plan Your Chimney Installation

The following recommendations are intended as a general guideline to assist in the layout and selection of the chimney components needed for your installation. Always read and follow Simpson Dura-Vent Installation instructions before installing your chimney system (enclosed with the cap or support box). Installation instructions can be viewed online at [www.duravent.com](http://www.duravent.com) under catalogs and instructions.

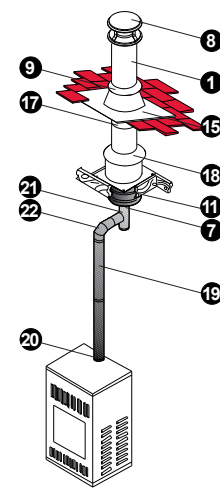
- The diameter of the chimney should match the outlet size of the appliance.
- An improperly sized chimney results in poor draft and excessive creosote formation.
- Measure the diameter of the appliance flue outlet. Select the chimney and either DVL or DuraBlack connector stovepipe with the same size diameter as the appliance flue outlet. For fireplace installations, refer to the sizing chart in the back of this catalog.
- Determine if the installation is a through-the-roof installation or a through the wall installation. A through-the-wall installation will require additional components (Wall Thimble, Tee with Cap, Tee Support, and Wall Straps).
- Install the chimney in the interior of the structure whenever possible. A cold exterior chimney will produce less draft and will generate more creosote.
- If possible avoid offsets that serve to restrict the natural draft. A straight vertical installation is more efficient and less likely to develop creosote. If an offset is required to avoid rafters or other obstructions, measure the horizontal distance required and the vertical height available. 15°, 30° and 45° elbows are available. A maximum of two offsets in a single installation are permitted. Refer to the offset table in the back of the section of this catalog. At least one Elbow Strap is required for each offset. Elbow Straps ensure adequate support.
- Determine the minimum chimney height above the roof line. Building codes require a minimum of 3' above the roof penetration and at least 2' higher than any portion of a building within 10'. See figure 1. The termination cap is installed above that point.
- Measure the roof pitch. For example, a 6/12 pitch has a vertical rise of 6" over a horizontal distance of 12". Select the appropriate flashing.
- Determine the total length of chimney and stovepipe required for the installation. To calculate the installed per length of 6"-8" DuraPlus HTC chimney pipe, subtract 1 1/2" per joint. Subtract 1 1/4" per joint of DuraBlack stovepipe. Subtract 1 1/2" per joint of DVL stovepipe. Minimum chimney height, at sea level of straight vertical chimney, is 10' to 15' above the appliance outlet. Higher elevations, or the use of elbows or a tee, will require approximately 30% to 60% more height to provide for an adequate draft.
- Be fire safe. Maintain at least 2" clearance to combustibles. Follow local building codes and have your chimney inspected by a certified professional.



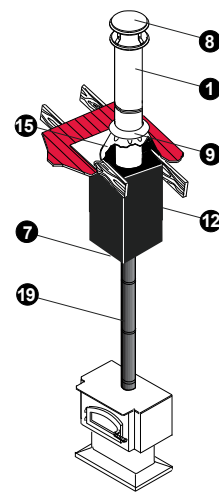
Multi Story



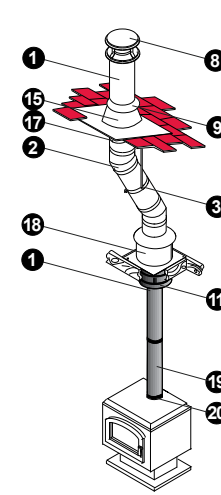
Cathedral Ceiling (Roof Support)



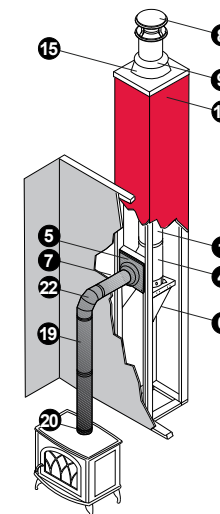
Oil Furnace



Cathedral Ceiling (Support Box)



Attic Offset



Through-The-Wall

DuraPlus HTC	
1	DuraPlus HTC Chimney Pipe
2	Elbow
3	Elbow Strap
4	Tee
5	Wall Thimble
6	Tee Support Bracket
7	DVL/DuraBlack Chimney Adapter
8	Chimney Cap
9	Storm Collar
10	Finishing Collar
11	Round Ceiling Support
12	Square Ceiling Support Box
13	Roof Support
14	Roof Support Trim Collar (not shown)
15	Roof Flashing
16	Firestop Radiation Shield (not shown)
17	Roof Radiation Shield
18	Attic Insulation Shield
19	DVL or DuraBlack Stovepipe
20	Stovepipe Adapter
21	DVL or DuraBlack Tee
22	DVL or DuraBlack Elbow

• Refer to our Typical Venting Installation drawings to select the appropriate component parts for your installation.

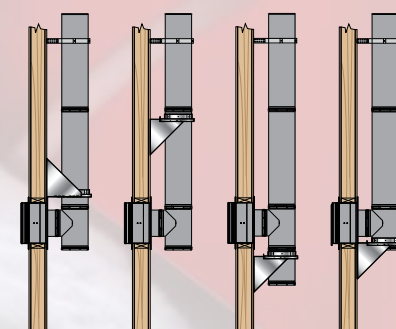
• A DVL/DuraBlack Chimney Adapter must be used when connecting DVL or DuraBlack stovepipe to a Ceiling Support, Wall Thimble or Finishing Collar.

• A Wall Thimble must be installed with an appropriate section of chimney pipe for all horizontal through-the-wall installations. To accommodate thicker walls use a Wall Thimble Extension.

• An Attic Insulation Shield must be used in all installations that pass through an attic, regardless of whether the attic is insulated or not. If chimney is enclosed in a chase in the attic space, an attic insulation shield is not required.

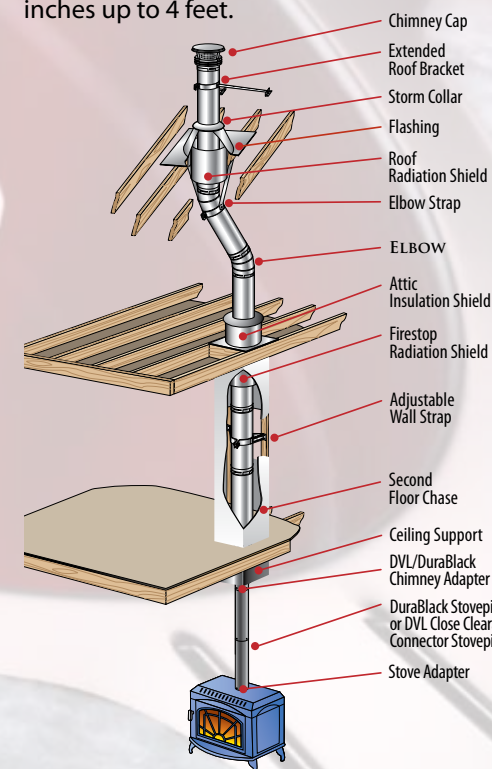
• A Firestop Radiation Shield must be used when a chimney passes through a floor or ceiling without a ceiling support.

• A Roof Radiation Shield is required at the roof deck penetration.



## Engineered Excellence for Safe and Precise installations

DuraPlus HTC chimney systems can be installed efficiently and more precisely. The Adjustable Tee Support Bracket can be reversed to accommodate the support of the tee and chimney in many situations. The Adjustable Wall Strap, used to support chimney while assuring a 2" clearance, adjusts 2" - 6" from a wall. There is flexibility with chimney pipe that comes in lengths from 6 inches up to 4 feet.



DuraPlus HTC®  
All-fuel, double-wall chimney system.  
ULC S629.

# DuraPlus HTC

**DuraVent**  
Member of M&G Group

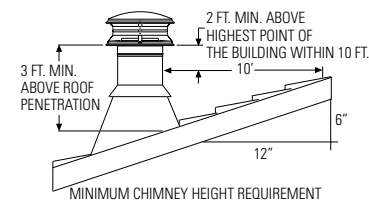


Figure 1

# Engineered Excellence

**Applications**  
 DuraPlus HTC is a double-wall, all-fuel chimney system for both the U.S. and Canada for use with wood stoves; fireplaces; and appliances using wood, oil, gas, or coal.

**Materials and Construction**  
 Thermal Tech II insulation encased between inner and outer walls of .020" 430 stainless steel.

**Clearances**  
 2" clearance to combustibles.

**Diameters**  
 6" - 8".

**Listings**  
 OMNI Listed to UL 103HT and ULC S629 (143-P-03-2).



**DuraPlus HTC**  
 DuraVent's Thermal Tech II Blanket insulation in DuraPlus HTC is made of light-weight ceramic refractory material. This insulation will not shrink or cause gaps like competitors' products made of mineral wool and other loose-fill insulations. No gaps mean no hot spots to trigger fires to exterior combustibles. Encased between two stainless steel walls, the insulation maintains a barrier that will not shift or settle. The 2" wall keeps the exterior cool, while ensuring high temperatures for optimum draft performance on the inside.

Twist-lock feature allows you to assemble DuraPlus HTC quickly and precisely. No screws or rivets required and no locking bands needed either.

The Adjustable Tee Support Bracket is reversible for installation above or below the tee, while ensuring a 2" clearance to combustibles (adjusts from 2" to 6"). DuraPlus HTC offers 15, 30, and 45 degree elbows and allows double offsets. Chimney pipe comes in lengths from 6 inches up to 4 feet.

# Product List

	<b>DuraPlus HTC Basic Kit</b> Kit includes: DVL/DuraBlack Chimney Adapter, 11" Square Ceiling Support Box w/ Trim, Chimney Cap, and Attic Insulation Shield. Pipe not included. Use for typical through-the-roof installations.
	<b>DuraPlus HTC Through-The-Wall Kit</b> Kit includes: DVL/DuraBlack Chimney Adapter, Wall Thimble, Tee with Cap, (2) Adjustable Wall Strap, Tee Support Bracket, and Chimney Cap. Pipe not included. Use for through-the-wall installations.
	<b>Chimney Pipe</b> 6" to 8" diameters. Stainless steel inner and outer walls. Available in 6", 12", 18", 24", 36" and 48" lengths. Additional protective carton foam for shipping available.
	<b>Elbow Kit</b> Kit includes: Two Elbows and one Elbow Strap. Use for offsets around obstructions such as rafters, ridgepoles, or joists. Made of stainless steel.
	<b>Elbow Strap</b> Use to prevent excessive weight on the elbows by supporting the weight of the chimney. Required to be installed between two elbows in offset installations.
	<b>Round Ceiling Support</b> Supports chimney pipe and provides a positive connection between support box and chimney with a built-in twist-lock. Supports up to 40' of DuraPlus HTC Chimney.
	<b>Square Ceiling Support Box              Reduced Clearance Square Ceiling Support Box</b> Use with flat, vaulted, or cathedral ceilings. Painted black. Includes square trim and DVL/DuraBlack Chimney Adapter. Supports up to 40' of DuraPlus Chimney. Reduced version has reduced clearance of 1" for 6" diameter pipe.
	<b>Combustion Air Square Ceiling Support Box</b> Supports chimney pipe and provides a positive connection between support box and chimney with a built-in twist-lock.

	<b>Roof Support</b> Designed to support the DuraPlus HTC Chimney and allows the chimney to pass through the roof and extend down from the ceiling. Supports up to a maximum total chimney length of 30' and 20' chimney below Roof Support.
	<b>Trim Collar for Roof Support</b> Conceals gap between chimney pipe and ceiling cut out when used with Roof Support. Galvalume. Painted black.
	<b>Finishing Collar</b> Fits into the female end of the chimney pipe to provide a decorative finish. Use on chimney pipe that is suspended with the roof support system or on pipe that is passing through a wall thimble.
	<b>Wall Thimble</b> Adjusts from a minimum of 7 3/4" to a maximum of 12 7/8" wall thickness, and fits between standard wall studs.
	<b>Combustion Air Wall Thimble</b> A direct vent for bringing fresh outside air for combustion through an air channel in wall thimble to appliance without cutting a second hole into the wall.
	<b>Tee Kit</b> Kit includes: Tee w/Tee Cap, Wall Thimble, Tee Support Bracket, and DVL/DuraBlack Chimney Adapter. Use for through-the-wall chimney installations.
	<b>Tee with Cap</b> Use for through-the-wall chimney installations. The Tee Cap is removable for easy chimney cleaning or inspection.
	<b>Tee Support Bracket</b> Required to support the Tee; suspended from a wall. Supports up to 40' of DuraPlus HTC Chimney.
	<b>Base Plate</b> Use Base Plate to connect DuraPlus HTC directly to a zero-clearance fireplace.
	<b>Transition Anchor Plate</b> Use Transition Anchor Plate with DuraPlus HTC when extending or converting from DuraLiner to DuraPlus HTC in chimney restoration.

	<b>Adjustable Wall Strap</b> Use in interior or exterior installations to support and to stabilize the chimney while ensuring a 2" clearance.
	<b>Firestop Radiation Shield</b> Use in ceiling/floor penetrations when a ceiling support is not used.
	<b>Roof Radiation Shield</b> Required where a chimney passes through the roof.
	<b>Attic Insulation Shield</b> Required in all installations that pass through an attic to prevent insulation and debris from accumulating near the chimney, unless chimney is enclosed in a chase. Consists of three parts: a collar, a base, and adjustable sleeve. Adjusts from 10" - 24" in height. Fits 6" to 8" diameters.
	<b>Roof Flashing</b> Use to weather proof the penetration of chimney pipe through the roof. Made of galvalume.
	<b>DSA Roof Flashings</b> Use with metal or tile roofs. Available in sizes 6" and 8" in 0/12-6/12 (shown) and 7/12-12/12 styles. Made of dead soft aluminum.
	<b>Extended Roof Bracket</b> Use to support the chimney when it extends more than 4' above the roof.
	<b>Storm Collar</b> Required with DuraPlus HTC flashing to create a weather proof penetration through the roof deck. Made of aluminum.
	<b>Chimney Cap</b> Required where pipe terminates above the roofline. Made of stainless steel.

	<b>Chase Air Intake w/ Rodent Guard</b> Allows required ventilation air into chase. Screen keeps rodents out.
	<b>Snow Splitter</b> Use to divert snow around chimney, vent, and roof flashing. Constructed of paintable galvanized material.