

# Bring In the Fresh Air

Combustion Air System  
For DuraTech,  
DuraPlus HTC  
and PelletVent Pro

Simpson Dura-Vent's new,  
exclusive, patent-pending  
DuraPro Combustion Air  
System Wall Thimble and  
Ceiling Support Boxes is the  
ultimate solution for  
supplying outdoor air as  
combustion air for wood  
and pellet stoves.

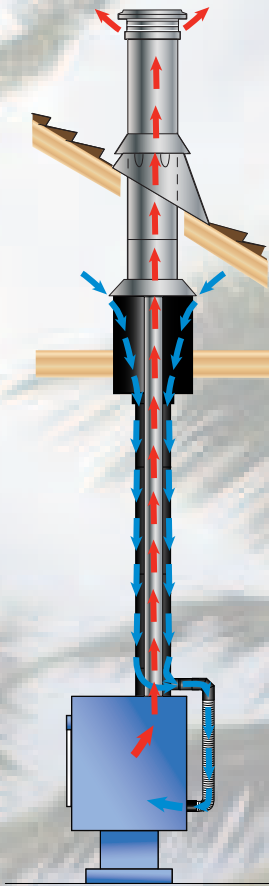


COMBUSTION AIR SYSTEM

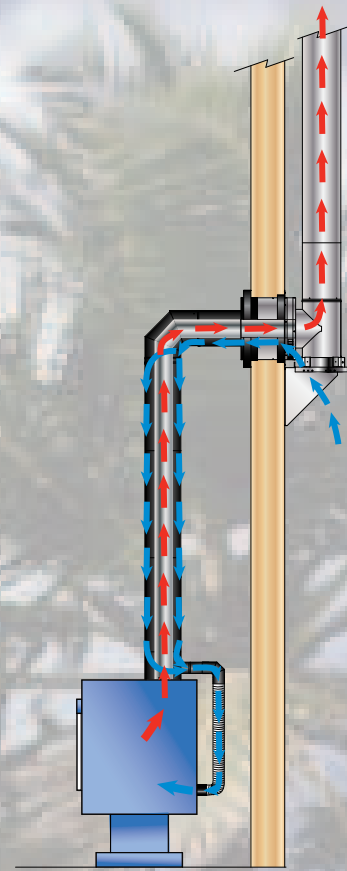
**SIMPSON**

**Dura-Vent**

Engineered Excellence

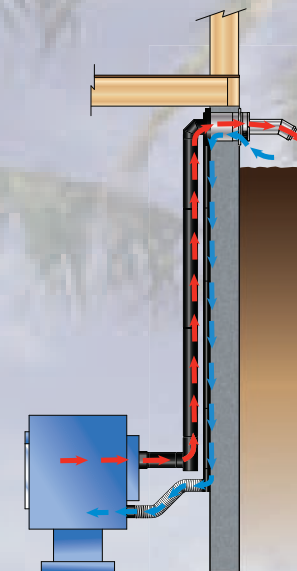


Vertical Installations

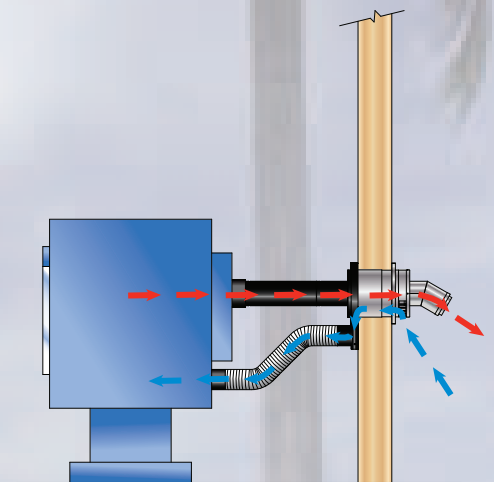


Horizontal Installations

### The Combustion Air System for DuraTech® and DuraPlus® HTC



Below Grade Installations



Horizontal Installations

### The Combustion Air System for PelletVent Pro®

# COMBUSTION AIR SYSTEM

The DuraPro Combustion Air System's (CAS) uniquely engineered ceiling support boxes and wall thimbles deliver combustion air to free-standing wood and pellet stoves.

DuraTech & DuraPlus HTC CAS wood stove systems are available in 6" and 8" chimney diameters, using system specific triple-wall connector pipe, elbows, and tees to deliver combustion air to the appliance from outside the room through the chimney penetration, eliminating the need for a separate penetration in the structure for combustion air intake.

The PelletVent Pro CAS stove system is available in 3" and 4" pellet chimney sizes. The system's pellet stove wall thimble is designed with an air channel to direct combustion air into the appliance. PelletVent Pro CAS is considered a direct vent for pellet appliances, which allows for clearances down to 12 inches to building openings, as defined by NFPA 211.

## Eliminates the use of conditioned inside air for combustion.

Improve the efficiency of central heating systems by eliminating the use of conditioned room air for combustion.

## Patent-pending design pre-heats combustion air.

Inbound air is circulated through baffles around the heated areas of the support box or wall thimble. For PelletVent Pro, the pre-heated air is delivered down a wall channel to assure that the pellet vent is not cooled. For DuraTech and HTC, the pre-heated air is supplied between the stove pipe's 2nd and 3rd wall, while the 1st wall maintains high stove temperatures.

## Enables outside air to be used as combustion air below grade.

The wall thimbles for both wood and pellet stoves provide combustion air to appliances used in below grade (basement) installations. Wood stoves utilize the triple wall stove pipe. Pellet stoves utilize the adjustable air channel.

## Minimizes down-drafts in below grade installations.

Does not consume warm indoor air for combustion and not subject to oxygen starvation, poor draft and other problems associated with 'tight' energy efficient homes.

## Simplifies installations with only one wall or ceiling penetration.

The system is designed to eliminate the need for a second penetration in the building envelope to introduce combustion air.

## Simple, elegant design with decorative black finish.

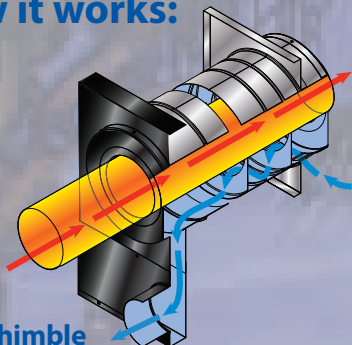
All products are factory finished in matte black.

## Made in the USA.



System for wood stoves

## How it works:

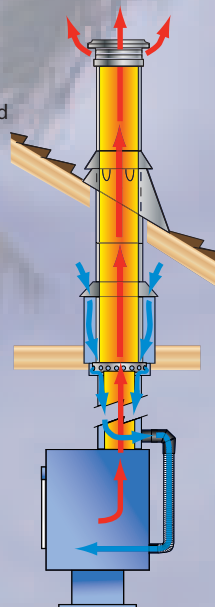


### Wall Thimble

Outside air is drawn through the wall thimble's baffles, helping it pre-heat as it comes in contact with the hot inner exhaust pipe. The air continues down an air channel (pellet vent stoves), or an inner chamber of the combustion air stove pipe (wood stoves), through the aluminum flex and into the appliance, delivering fresh combustion air.

### Ceiling Support Box

Fresh air is drawn and warmed through the top of the ceiling support box in the attic. The air continues down an inner chamber of the combustion air stove pipe, and stubs out at the top of the stove or tee. Aluminum flex completes the connection to the appliance.



System for pellet stoves

The product line includes:

3" and 4" wall thimble kits for pellet stoves;  
 With 36" - 70" adjustable channel;  
 6" and 8" wall thimbles for DuraTech  
 6" and 8" ceiling supports for DuraTech

12" triple-wall air-intake stove pipe for DuraTech  
 Three adjustable triple-wall air intake pipe sections for DuraTech  
 45° triple-wall air in-take elbow  
 Triple-wall air-intake tee; Triple-wall air-intake stove adapter kit

**DURATECH®**

Item	Stock # 6"	MSRP 6"	Stock # 8"	MSRP 8"
Combustion Air Wall Thimble	6CAS-WTDT	\$215.00	8CAS-WTDT	\$250.00
24" Combustion Air Ceiling Support w/Collar	6CAS-CS24DT	\$260.00	8CAS-CS24DT	\$290.00
36" Combustion Air Ceiling Support w/Collar	6CAS-CS36DT	\$290.00	8CAS-CS36DT	\$325.00
12" Triple Wall Stove Pipe	6CAS-12	\$ 75.00	8CAS-12	\$ 86.00
14" - 24" Adj Triple Wall Stove Pipe	6CAS-24A	\$165.00	8CAS-24A	\$195.00
29" - 46" Adj Triple Wall Stove Pipe	6CAS-46A	\$225.00	8CAS-46A	\$255.00
40" - 68" Adj Triple Wall Stove Pipe	6CAS-68A	\$295.00	8CAS-68A	\$350.00
45deg Triple Wall Stove Pipe Elbow	6CAS-E45	\$ 80.00	8CAS-E45	\$110.00
Triple Wall Stove Pipe Tee	6CAS-T	\$160.00	8CAS-T	\$180.00
3" branch Triple Wall Stove Top Kit - Includes Adapter, 3" Aluminum Flex, 2" to 3" Increaser, 3" single wall Adj. Elbow, & Hose Clamps	6CAS-ADK	\$190.00	8CAS-ADK	\$195.00

**PELLETVENT PRO®**

Item	Description	Stock #	MSRP
3" PVP Wall Thimble Kit	Includes Wall Thimble, Channel Adapter, Flex and 2" to 3" Increaser, Hose Clamps	3CAS-WTPK	\$275.00
4" PVP Wall Thimble Kit	Includes Channel Adapter, Flex and 2" to 3" Increaser	4CAS-WTPK	\$280.00
36"-70" Adjustable Channel	Telescoping Wall Channel	CAS-C70A	\$ 57.00

SIMPSON DURA-VENT®

