

Pass-Through Radiation Shield Now Available for DuraTech Canada & DuraTech Premium

A common question with sloped ceilings is how to treat the penetration for chimneys installed on factory-built fireplaces, and in multi-story applications. Factory firestop components and attic insulation shields (attic radiation shields) are designed to be installed on a flat, framed surface. However, when it's necessary to install in a non-flat or sloped ceiling, the time and expertise required to build a suitable extended box and frame can be cost prohibitive. Often, installers take short-cuts that can compromise firestop and vapor barrier requirements with little thought given to providing appropriate clearance between the insulation and the chimney.

DURAVENT HAS A SOLUTION!

Picture a box that looks just like a cathedral ceiling support with the key difference being that the insulated chimney can pass through it.

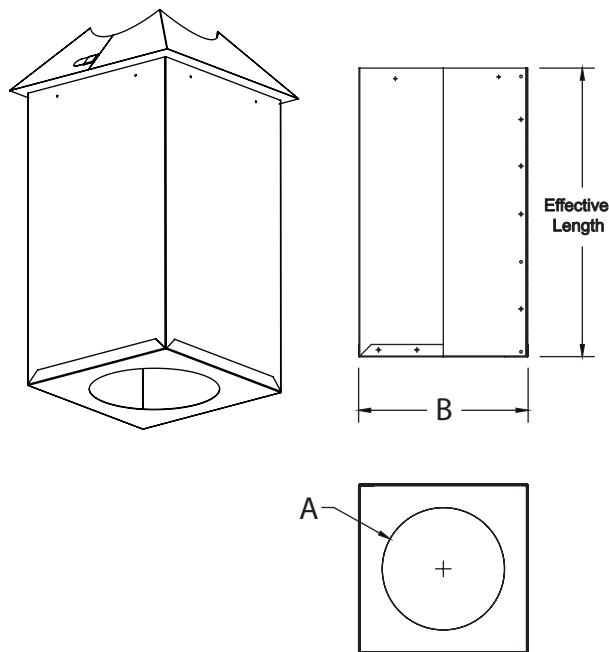
- Box fastens to a standard framed opening at the ceiling.
- Opening on the bottom of the box acts as a firestop.
- Vapor barrier can be attached to all four sides of the box using approved tape or sealant.
- Top end of the box poking up into the attic can serve as an attic insulation shield. Box includes square-to-round collar for this purpose.
- Box will be insulated using mineral wool insulation (rock wool).
- Includes standard extension. Effective shield height can be adjusted from a minimum 24" up to 46" tall.



This example shows spray-foam insulation in direct contact with the chimney which is a serious potential fire hazard!

Diameter (A) (in)	DuraTech Canada (DTC) Order Number	B x B Box Dimensions (in)
8 ¼	6DTC-SRSE	12 x 12
9 ¼	7DTC-SRSE	13 x 13
10 ¼	8DTC-SRSE	14 x 14

Diameter (A) (in)	DuraTech Premium (DTP) Order Number	B x B Box Dimensions (in)
10 ¾	6DTP-SRSE	14 x 14
11 ¾	7DTP-SRSE	15 x 15
12 ¾	8DTP-SRSE	16 x 16



For current pricing and availability, please call customer service at (800) 835-4429.

Information published in all DuraVent bulletins is current at time of publication and is subject to change without notice.